

NOTICE!!

These documents have been scanned!

Do not place un-scanned documents beneath this notice!

Do not remove this notice from this file!

GPO Jacket No. 560-102
Print Order 61540
Rise Business Services, LLC
Job=AZ15 5/10/2019



Box Number= AZ15033



Claim Begin-End: AMC428834-AMC428836

1 Initial Receipt



AZ15033-11

AMC428474-AMC428905

**NO WARRANTY IS MADE BY BLM
FOR USE OF THE DATA FOR
PURPOSES NOT INTENDED BY BLM**



United States Department of the Interior
Bureau of Land Management
 LANDS/RECREATION & PLANNING
 ONE N CENTRAL AVE
 PHOENIX, AZ 85004 -2203
 Phone: 602-417-9200

Receipt

No: 3081579

Transaction #: 3172842	
Date of Transaction: 07/21/2014	
CUSTOMER:	
QUARTZSITE METAL DETECTING CLUB PO BOX 3102 QUARTZSITE,AZ 85359-3102 US	

LINE #	QTY	DESCRIPTION	REMARKS	UNIT PRICE	TOTAL
1	3.00	LOCATABLE MINERALS / MINING CLAIMS-NEW,UNADJUD, ONE OR MORE AUTH NOS / NEW MINING CLAIM LOCATION FEE \$34 CASES: AMC428834/\$34.00, AMC428835/\$34.00, AMC428836/\$34.00		- n/a -	102.00
2	3.00	LOCATABLE MINERALS / MINING CLAIMS-NEW,UNADJUD, ONE OR MORE AUTH NOS / NEW MINING CLAIM MAINT FEE \$140 CASES: AMC428834/\$140.00, AMC428835/\$140.00, AMC428836/\$140.00		- n/a -	420.00
3	3.00	LOCATABLE MINERALS / MINING CLAIMS-NEW,UNADJUD, ONE OR MORE AUTH NOS / NEW MINING CLAIM PROCESSING FEE CASES: AMC428834/\$20.00, AMC428835/\$20.00, AMC428836/\$20.00		- n/a -	60.00
4	1.00	LOCATABLE MINERALS / MINING CLAIMS-NOT NEW-UNADJUD,ONE AUTH NO. ONLY / MINING CLAIM MONEY RECEIVED CASES: AMC362383/\$560.00	MAINT FEE PYMNT (4) 2014	- n/a -	560.00
5	1.00	LOCATABLE MINERALS / MINING CLAIMS-NOT NEW-UNADJUD,ONE AUTH NO. ONLY / MINING CLAIM MONEY RECEIVED CASES: AMC362383/\$2015.00	MAINT FEE PYMNT (13) 2015	- n/a -	2015.00
		LOCATABLE MINERALS / MINING			

ENTERED
 JUL 25 2014
 BY: *RAM*

6	1.00	CLAIMS-NOT NEW-UNADJUD,ONE AUTH NO. ONLY / MINING CLAIM MONEY RECEIVED CASES: AMC362383/\$20.00	AMENDMENT - 2	- n/a -	20.00
7	1.00	LOCATABLE MINERALS / MINING CLAIMS-NOT NEW-UNADJUD,ONE AUTH NO. ONLY / MINING CLAIM MONEY RECEIVED CASES: AMC425232/\$60.00	QCD - 6	- n/a -	60.00
TOTAL:					\$3,237.00

PAYMENT INFORMATION					
1	AMOUNT:	3237.00	POSTMARKED:	07/16/2014	
	TYPE:	CHECK	RECEIVED:	07/18/2014	
	CHECK NO:	1690			
	NAME:	QUARTZSITE METAL DETECTING CLUB INC PO BOX 3102 QUARTZSITE AZ 85359-3102 US			

REMARKS	

This receipt was generated by the automated BLM Collections and Billing System and is a paper representation of a portion of the official electronic record contained therein.

NOTICE!!

These documents have been scanned!

Do not place un-scanned documents beneath this notice!

Do not remove this notice from this file!

GPO Jacket No. 560-102
Print Order 61540
Rise Business Services, LLC
Job=AZ15 5/10/2019



Box Number= AZ15033



Claim Begin-End: AMC428834-AMC428836

2 Correspondence



AZ15033-11

AMC428474-AMC428905

**NO
DOCUMENTS
FOUND**

NO DOCUMENTS FOUND
NO DOCUMENTS FOUND

NOTICE!!

These documents have been scanned!

Do not place un-scanned documents beneath this notice!

Do not remove this notice from this file!

GPO Jacket No. 560-102
Print Order 61540
Rise Business Services, LLC
Job=AZ15 5/10/2019



Box Number= AZ15033



Claim Begin-End: AMC428834-AMC428836

3 Transfers



AZ15033-11

AMC428474-AMC428905

**NO
DOCUMENTS
FOUND**

NO DOCUMENTS FOUND
NO DOCUMENTS FOUND

NOTICE!!

These documents have been scanned!

Do not place un-scanned documents beneath this notice!

Do not remove this notice from this file!

GPO Jacket No. 560-102
Print Order 61540
Rise Business Services, LLC
Job=AZ15 5/10/2019



Box Number= AZ15033



Claim Begin-End: AMC428834-AMC428836

4 Annual Filings



AZ15033-11

AMC428474-AMC428905

DEPARTMENT OF THE INTERIOR
BUREAU OF LAND MANAGEMENT
MINING CLAIMS

Run Date/Time: 9/11/2018

MC Maintenance Fees Paid Through the BLM Pay Portal
(by Date Paid)

Page 581 Of 723

CBS Receipt: 4251028

Printed For Lead File # AMC428834

Agency Tracking ID: 1535674896

Assessment Year: 2019

Paid On: 8/31/2018

Number of BLM Serial Nr: 4

Total Amount Paid: \$620.00

Claim Name	BLM Serial No	Lead File No	Amount Paid
JUMPING JACK 205	AMC428834	AMC428834	\$155.00
MIDDLE CAMP MINE 2	AMC428835	AMC428834	\$155.00
MIDDLE CAMP MINE 3	AMC428836	AMC428834	\$155.00
A MINER AFFAIR	AMC430267	AMC430267	\$155.00

United States Department of the Interior
Bureau of Land Management
 BUSINESS & SUPPORT SVCS DIV
 ONE N CENTRAL AVE SUITE 800
 PHOENIX, AZ 85004 -4427
 Phone: 602-417-9200

Receipt

No: 4251028

Transaction #: 4366536	
Date of Transaction: 08/30/2018	
CUSTOMER:	
BLAKE R HARMON PO BOX 1867 QUARTZSITE, AZ 85346 US	

LINE #	QTY	DESCRIPTION	REMARKS	UNIT PRICE	TOTAL
1	1.00	LOCATABLE MINERALS / MINING CLAIMS-NOT NEW-UNADJUD, ONE AUTH NO. ONLY / MINING CLAIM MONEY RECEIVED CASES: AMC428834/\$620.00		- n/a -	620.00
TOTAL:					\$620.00

PAYMENT INFORMATION			
NOTE: Items will appear on credit card statement as "BLM O Mining Claim".			
1	AMOUNT:	620.00	POSTMARKED: N/A
	TYPE:	CREDIT CARD	RECEIVED: 08/30/2018
	NAME:	BLAKE R HARMON PO BOX 1867 QUARTZSITE AZ 85346 US	
	CARD NO:	XXXXXXXXXXXX9231	AUTH CODE: 042641
	NAME ON CARD:	BLAKE R HARMON	
	SIGNATURE:		

REMARKS

This receipt was generated by the automated BLM Collections and Billing System and is a paper representation of a portion of the official electronic record contained therein.

Run Date: 05/02/17

Run Time: 10:58 AM

**DEPARTMENT OF THE INTERIOR
BUREAU OF LAND MANAGEMENT
MINING CLAIMS**

MC Maintenance Fees Paid Through the BLM Pay Portal

CBS Receipt: 3790642

Printed For Lead File # AMC428834

Agency Tracking ID: 1490034067

Assessment Year: 2018

Number of BLM Serial Nr: 14

Paid On: 03/20/2017

Total Amount Paid: \$2,170.00

Claim Name	BLM Serial No	Lead File No	Amount Paid
MIDDLE CAMP MINE	AMC362383	AMC362383	\$155.00
GOLF #3	AMC385383	AMC385381	\$155.00
JUMPING JACK #2	AMC413311	AMC413311	\$155.00
JUMPING JACK #3	AMC414076	AMC414076	\$155.00
JUMPING JACK #4	AMC425232	AMC425232	\$155.00
JUMPING JACK #5	AMC425233	AMC425232	\$155.00
JUMPING JACK #6	AMC425234	AMC425232	\$155.00
JUMPING JACK #7	AMC425235	AMC425232	\$155.00
JUMPING JACK #8	AMC425236	AMC425232	\$155.00
JUMPING JACK #9	AMC425237	AMC425232	\$155.00
JUMPING JACK 205	AMC428834	AMC428834	\$155.00
MIDDLE CAMP MINE 2	AMC428835	AMC428834	\$155.00
MIDDLE CAMP MINE 3	AMC428836	AMC428834	\$155.00
A MINER AFFAIR	AMC430267	AMC430267	\$155.00

United States Department of the Interior
Bureau of Land Management
 BUSINESS & SUPPORT SVCS DIV
 ONE N CENTRAL AVE SUITE 800
 PHOENIX, AZ 85004 -4427
 Phone: 602-417-9200

Receipt

No: 3790642

Transaction #: 3897953	
Date of Transaction: 03/20/2017	
CUSTOMER:	
DUANE A VANATTI PO BOX 1867 QUARTZSITE, AZ 85346 US	

LINE #	QTY	DESCRIPTION	REMARKS	UNIT PRICE	TOTAL
1	1.00	LOCATABLE MINERALS / MINING CLAIMS- NOT NEW-UNADJUD, ONE AUTH NO. ONLY / MINING CLAIM MONEY RECEIVED CASES: AMC425233/\$2170.00		- n/a -	2170.00
TOTAL:					\$2,170.00

PAYMENT INFORMATION			
NOTE: Items will appear on credit card statement as "BLM O Mining Claim".			
1	AMOUNT:	2170.00	POSTMARKED: N/A
	TYPE:	CREDIT CARD	RECEIVED: 03/20/2017
	NAME:	DUANE A VANATTI PO BOX 1867 QUARTZSITE AZ 85346 US	
	CARD NO:	XXXXXXXXXXXX0204	AUTH CODE: 08722B
	NAME ON CARD:	DUANE A VANATTI	
	EXPIRES:	06/2020	
	SIGNATURE:		

REMARKS

This receipt was generated by the automated BLM Collections and Billing System and is a paper representation of a portion of the official electronic record contained therein.

Requested By: Quartzsite Metal

SHELLY D BAKER, RECORDER

OFFICIAL RECORDS OF LA PAZ COUNTY, AZ

05-03-2016 12:06 PM Recording Fee \$15.00

362383

425232 ~~385381~~

428834 385381

413311

414076

MAINTENANCE FEE PAYMENT

Claimant Name: QUARTZSITE METAL DETECTING CLUB

Address: PO BOX 3102

City: QUARTZSITE State: AZ Zip: 85359

Telephone: 928-927-7150

E-mail address: _____

Signature: [Signature]

Check here if this is a change of address.

RECEIVED	BLM AT STATE OFFICE	2016 MAY -5 P 2:36	PHOENIX, ARIZONA
----------	---------------------	--------------------	------------------

LINE NO.	AMC NUMBER	CLAIM/SITE NAME	COUNTY RECORDER DATA (If available)	TWP	RNG	SEC
1	AMC362383	MIDDLE CAMP MINE		4N	20W	21
2	AMC385383	GOLF #3		4N	20W	28
3	AMC413311	JUMPING JACK #2		4N	20W	34
4	AMC414076	JUMPING JACK #3		4N	20W	33
5	AMC425232	JUMPING JACK #4		4N	20W	34
6	AMC425233	JUMPING JACK #5		4N	20W	34
7	AMC425234	JUMPING JACK #6		4N	20W	34
8	AMC425235	JUMPING JACK #7		4N	20W	34
9	AMC425236	JUMPING JACK #8		4N	20W	34
10	AMC425237	JUMPING JACK #9		4N	20W	34

List additional claims on Form MCF114.

No. of Claims*: <u>13</u> x \$155 = <u>\$2015.⁰⁰</u>
Check No: <u>1859</u> Init. <u>[Signature]</u>
Receipt No.: <u>3554221</u>
For BLM Use Only

Bureau of Land Management
Arizona State Office
www.blm.gov/az/

* \$155 per lode mining claim, mill site, or tunnel site; and \$155 for each 20 acres or portion thereof for each placer mining claim.

Form: MCF112
Revised July 2014

This form is available from the Arizona Geological Survey and may be reproduced.

ENTERED
MAY 09 2016
BY: R Am

**United States Department of the Interior
Bureau of Land Management**

DIV OF LANDS, MINRLS & ENERGY
ONE N CENTRAL AVE
PHOENIX, AZ 85004 -4427
Phone: 602-417-9200

Receipt

No: 3554221

Transaction #: 3656808	
Date of Transaction: 05/06/2016	
CUSTOMER:	
QUARTZSITE METAL DETECTING CLUB PO BOX 3102 QUARTZSITE, AZ 85359-3102 US	

LINE #	QTY	DESCRIPTION	REMARKS	UNIT PRICE	TOTAL
1	1.00	LOCATABLE MINERALS / MINING CLAIMS- NOT NEW-UNADJUD, ONE AUTH NO. ONLY / MINING CLAIM MONEY RECEIVED CASES: AMC362383/\$2015.00	MAINT FEE - 13 2017	- n/a -	2015.00
TOTAL:					\$2,015.00

PAYMENT INFORMATION					
1	AMOUNT:	2015.00	POSTMARKED:	05/04/2016	
	TYPE:	CHECK	RECEIVED:	05/05/2016	
	CHECK NO:	1859			
	NAME:	QUARTZSITE METAL DETECTING CLUB INC PO BOX 3102 QUARTZSITE AZ 85359-3102 US			





REMARKS

This receipt was generated by the automated BLM Collections and Billing System and is a paper representation of a portion of the official electronic record contained therein.

PRESS FIRMLY TO SEAL

PRIORITY MAIL
POSTAGE REQUIRED

PRIORITY[®] ★ MAIL ★

-  DATE OF DELIVERY SPECIFIED *
-  USPS TRACKING™ INCLUDED *
-  INSURANCE INCLUDED *
-  PICKUP AVAILABLE

* Domestic only

WHEN USED INTERNATIONALLY,
A CUSTOMS DECLARATION
LABEL MAY BE REQUIRED.






PS00001000014

EP14F July 2013
OD: 12.5 x 9.5

VISIT US AT USPS.COM[®]
ORDER FREE SUPPLIES ONLINE



 Click-N-Ship[®]	
	Meter from 9405 5036 9930 0317 7121 90 0094 5000 0018 5004 U.S. POSTAGE First Class Env.
09/04/2016	Mailed from 85358 09250000001310
PRIORITY MAIL 1-DAY™	
Expected Delivery Date: 09/05/16	
BLAKE HARMON QUARTZSITE METAL DETECTING CLUB PO BOX 3102 QUARTZSITE AZ 85369-3102	
Carrier -- Leave if No Response C041	
SHIP TO: BLM C/O MINING CLAIMS 1 N CENTRAL AVE STE 800 PHOENIX AZ 85004-4427	
USPS TRACKING #	
	
9405 5036 9930 0317 7121 90	
Electronic Rate Approved #038555749	

This packaging is the property of the Postal Service and is not for resale. This is a violation of federal law. © 2013 USPS. All rights reserved.

This envelope is made from post-consumer waste. Please recycle again.

PRIORITY[®]

★ MAIL ★

TRACKED*



INSURED*



FLAT RATE ENVELOPE

ONE RATE ★ ANY WEIGHT*

RECEIVED
BLM AZ STATE OFFICE
2016 MAY -5 P 2 36
PHOENIX, ARIZONA



PS00001000014

EP14F July 2013
OD: 12.5 x 9.5



* Domestic only. ** For international shipments, the maximum weight is 4 lbs.

UNITED STATES
DEPARTMENT OF THE INTERIOR
BUREAU OF LAND MANAGEMENT
MAINTENANCE FEE PAYMENT FORM
FOR PLACER MINING CLAIMS

page 1 of 2
362383
385381
413311
414076
425232
428834

Remitter Name: QUANTZSITE METAL DETECTING CLUB
 Mailing Address: P.O. 3102
 City, State, Zip: QUANTZSITE, AZ 85359
 Check here if this is a change of address.

2015-01241
 Page 1 of 2
 Requested By: Quartzsite Metal Detection Club
 SHELLY D BAKER, RECORDER
 OFFICIAL RECORDS OF LA PAZ COUNTY, AZ
 03-31-2015 03:02 PM Recording Fee \$15.00
FOR COUNTY RECORDER'S USE

No. of claims 13
 Total due BLM \$ 2015

- The maintenance fee may be paid by cash, check, money order, Bureau of Land Management (BLM) Declining Deposit Account, or credit card (VISA, American Express, Discover, or MasterCard). Payments must be remitted to the BLM State Office where your claim or site is recorded and received on or before September 1. If the payment is mailed, the envelope must be postmarked by a bona fide delivery service on or before September 1 and received at the proper BLM State Office within 15 calendar days after the due date. Payments may also be made by telephone using a credit card. A complete listing of BLM State Offices with their addresses and phone numbers can be found at
- The maintenance fee for the following claim(s) applies to the assessment year 2016.

HN 2012 285
 HN 2013 34
 HN 2013 34
 HN 2013 33
 HN 2013 34
 " "
 " "
 " "
 " "
 " "

CLAIM NAME	BLM SERIAL NO.	ACRES IN CLAIM	PAYMENT DUE TO THE BLM (See Instructions on Page 2)
COOK F 3	AMC 385383	20	155
JUMPING JACK 2	HMA H13311	20	155
JUMPING JACK 4	AMC H25232	20	155
JUMPING JACK 3	AMC H14076	20	155
JUMPING JACK 5	AMC H25233	20	155
JUMPING JACK 6	AMC H25234	20	155
JUMPING JACK 7	AMC H25235	20	155
JUMPING JACK 8	AMC H25236	20	155
JUMPING JACK 9	AMC H25237	20	155
JUMPING JACK 205	AMC H28834	20	155

Use a separate sheet for additional claim names, serial numbers, and claimant names and addresses.

(Continued on page 2)

RECEIPT # 3264733

RECEIVED
 BLM AZ STATE OFFICE
 PHOENIX, ARIZONA
 2015 APR -2 P 2:55

**UNITED STATES
DEPARTMENT OF THE INTERIOR
BUREAU OF LAND MANAGEMENT
MAINTENANCE FEE PAYMENT FORM
FOR PLACER MINING CLAIMS**

PAGE 2 of 2

Remitter Name: QUANTZSIR Mining District
C.H.W.

Mailing Address: P.O. 3102

City, State, Zip: QUANTZSIR, AZ 85359

Check here if this is a change of address.

FOR COUNTY RECORDER'S USE

No. of claims _____
Total due BLM \$ _____

- The maintenance fee may be paid by cash, check, money order, Bureau of Land Management (BLM) Declining Deposit Account, or credit card (VISA, American Express, Discover, or MasterCard). Payments must be remitted to the BLM State Office where your claim or site is recorded and received on or before September 1. If the payment is mailed, the envelope must be postmarked by a bona fide delivery service on or before September 1 and received at the proper BLM State Office within 15 calendar days after the due date. Payments may also be made by telephone using a credit card. A complete listing of BLM State Offices with their addresses and phone numbers can be found at _____.
- The maintenance fee for the following claim(s) applies to the assessment year 2016.

CLAIM NAME	BLM SERIAL NO.	ACRES IN CLAIM	PAYMENT DUE TO THE BLM (See Instructions on Page 2)
Middle CAMP MINE	AMC 362383	20	155
Middle CAMP MINE 2	AME #28835	20	155
Middle CAMP MINE 3	AME 428836	20	155

Use a separate sheet for additional claim names, serial numbers, and claimant names and addresses:

AN 20W sec 21

(Continued on page 2)

RECEIVED
BLM STATE OFFICE
PHOENIX, ARIZONA
2015 APR - 2 P 2:55

P.O. 363

Quartzsite, AZ

85346

RECEIVED
BLM AZ STATE OFFICE

2015 APR -2 P 2:46

PHOENIX, ARIZONA State office of BLM

1 N Central Ave

Box 555

Phoenix, AZ 85004



8500439414



United States Department of the Interior
Bureau of Land Management
 LANDS/RECREATION & PLANNING
 ONE N CENTRAL AVE
 PHOENIX, AZ 85004 -2203
 Phone: 602-417-9200

Receipt

No: 3264733

Transaction #: 3360306	
Date of Transaction: 04/03/2015	
CUSTOMER:	
QUARTZSITE METAL DETECTING CLUB PO BOX 3102 QUARTZSITE, AZ 85359-3102 US	

LINE #	QTY	DESCRIPTION	REMARKS	UNIT PRICE	TOTAL
1	1.00	LOCATABLE MINERALS / MINING CLAIMS-NOT NEW-UNADJUD, ONE AUTH NO. ONLY / MINING CLAIM MONEY RECEIVED CASES: AMC385323/\$2015.00	MAINT FEE PYMNT (13) 2016	- n/a -	2015.00
TOTAL:					\$2,015.00

PAYMENT INFORMATION			
1	AMOUNT:	2015.00	POSTMARKED: 03/31/2015
	TYPE:	CHECK	RECEIVED: 04/02/2015
	CHECK NO:	1773	
	NAME:	QUARTZSITE METAL DETECTING CLUB INC PO BOX 3102 QUARTZSITE AZ 85359-3102 US	

REMARKS

This receipt was generated by the automated BLM Collections and Billing System and is a paper representation of a portion of the official electronic record contained therein.

ENTERED
 APR 03 2015
 BY: *R. Ann*

NOTICE!!

These documents have been scanned!

Do not place un-scanned documents beneath this notice!

Do not remove this notice from this file!

GPO Jacket No. 560-102
Print Order 61540
Rise Business Services, LLC
Job=AZ15 5/10/2019



Box Number= AZ15033



Claim Begin-End: AMC428834-AMC428836

5 Miscellaneous



AZ15033-11

AMC428474-AMC428905



Compose

Navigation icons: back, forward, delete, move, spam, more, collapse all, close

Inbox (52)

Drafts (21)

Sent

Spam (11)

Trash (17)

▼ Folders

Crystal

horizon

Mark

Metal Detecting Club

Penney

Steve Wells

Viking

► Recent

QMDC Mining Claims(3)

Joe & Donna Wallingford let me know if you got it Joe Date: Tue, 8 Jul 3 at 6:13 PM

Me received and read 7:50 P.M. tue Charlie Date: Jul 3 at 6:52 PM

Joe & Donna Wallingford To Me Today at 7:05 PM

Charlie, you should have gotten this the other day! When i forwarded it to you it did not come back as not sent!

Joe

Date: Tue, 8 Jul 2014 15:38:44 -0700
Subject: QMDC Mining Claims
From: athrower@blm.gov
To: jdtwallin@hotmail.com

Here is what we discussed today:

- 1. 2014 maintenance fees due: $\$140 \times 4 = \560
(for Golf 3, Jumping Jack #2 amended to 20 acres, Jumping Jack #3, and Middle Camp Mine amended to 20 acres)
- 2. 3 new claims if located and filed with BLM prior to September 1, 2014 - $\$194 \times 3 = \582
(acres removed from Jumping Jack #2 and Middle Camp Mine)
- 3. 2 amendments = \$20
(amending Jumping Jack #2 and Middle Camp Mine down to 20 acres)
- 4. Quit Claim Deed transferring 6 claims from Charles Weinheimer to QMDC = \$60
- 5. 2015 maintenance fees for 13 mining claims = $\$155 \times 13 = \2015
(Golf 3, Jumping Jack #2, Jumping Jack #3, Middle Camp Mine, Jumping Jack 4, 5, 6, 7, 8, 9, and the 3 new claims)

This is if you are not keeping Granite 1, Granite 2, Last Gasp, and Middle Camp #2.

I think that covers it.

Thanks,

Amy

Amy Thrower
Supervisory Land Law Examiner
U.S. Department of the Interior
Bureau of Land Management (AZ.SO-931)
One North Central Ave Suite 800
Phoenix, AZ 85004
Athrower@blm.gov
602-417-9334

Reply, Reply All or Forward | More

Handwritten calculation:
560
582
20
60
2015

\$3237

RECEIVED
CLIMATE CENTER OFFICE
2014 JUL 18 P 2:43
PHOENIX, ARIZONA

NOTICE!!

These documents have been scanned!

Do not place un-scanned documents beneath this notice!

Do not remove this notice from this file!

GPO Jacket No. 560-102
Print Order 61540
Rise Business Services, LLC
Job=AZ15 5/10/2019



Box Number= AZ15033



Claim Begin-End: AMC428834-AMC428836

6 Location Notices-Amendments and Supporting Documents



AZ15033-11

AMC428474-AMC428905

MINING CLAIM STATUS REPORT

Data Entered: 07/25/14 RAN

MTP Checked By: 07/25/ RAN
GEO Checked By: 07/25/ RAN

LEAD SERIAL NUMBER: AMC 428834 thru AMC 428836

NUMBER OF CLAIMS & TYPE:

- 3 LODE
- PLACER
- ASSOCIATION PLACER
- MILL SITE
- TUNNEL SITE

CHARGES:

- Location Fee @ \$34 = \$ 102.00
- Processing Fee @ \$20 = \$ 60.00
- Maintenance Fee @ \$140 = \$ 420.00
- Add'l Maint Fee for Assoc Placer = \$
- SUBTOTAL** \$ 582.00
- Other Fees \$
- Other Fees \$ ↓
- TOTAL** \$ 582.00

TOTAL ACREAGE: 20 Per Claim
(Placer Only)

NUMBER OF LOCATORS: 1

DOCUMENTS RECEIVED VIA: Over-the-Counter [] Mail [] TIMELY FILED: Yes [] No []

LEGAL DESCRIPTION: T 4N R 20W SEC 21,34
T R SEC
T R SEC
T R SEC
T R SEC

BLM [] FOREST SERVICE [] SUBJ TO PL 359: Yes [] No []
WILDERNESS AREA []

SPLIT ESTATE: N/A [] SX [] PX [] OTHER []
SRHA [] Was proper Notice filed if located on SHRA Land? Yes [] No []

RECONVEYED MINERALS ON BLM LAND REQUIRE OPENING ORDER FROM 1944 TO 1993:
Open to Entry On _____ N/A []

COMMENTS/STATUS: VOID [] PARTIALLY VOID [] PVT MINERALS [] WITHDRAWN LANDS []
OTHER []

[] Claimant acknowledges that portions of the following claim(s) site(s) may be void or voidable.

Printed Name of Claimant _____ Signature of Claimant _____

*****FINAL ADJUDICATION*****

DATE 3/30/2015 INITIALS RM

AMC 428834

LOCATION NOTICE FOR PLACER MINING CLAIM

NOTICE IS HEREBY GIVEN that the Jumping Jack 205

_____ placer mining claim has been located by

QUARTZITE METAL DETECTING whose current mailing

address is P.O. BOX 3102

QUARTZITE, AZ 85359.

RECEIVED
BLM AS STAFF OFFICE
2014 JUL 18 P 2:43
PHOENIX, ARIZONA
BLM
Date
Stamp

The general course of this claim is WEST TO EAST and it is situated in

LA PAS County, Arizona.

This claim is 1320 feet in length and 500 feet in width. This claim runs from the location monument on which this location notice is posted approximately 1320 feet in a WEST direction to the EAST end line and 500 feet in a SOUTH direction to the SOUTH end line.

This claim is marked by four monuments, one at each corner of the claim.

The location monument on which this notice is posted is situated within Section 34, Township 4 N, Range 20 W, Gila Salt River Base and Meridian, Arizona. This claim encompasses portions of the following legal subdivision(s) if located by legal subdivision or the following quarter section (s),

section (s), Township (s) and Range (s) E 1/2 NW 1/4, NW 1/4 Sec 34, 4 N, 20 W.

CLAIM EXCLUDES FEDERAL RIGHT OF WAY AR 26325, AR 2169 Gila Salt River Base and Meridian, Arizona.

The locality of this claim with reference to some natural object or permanent monument and additional information (if any) concerning its locality are as follows: NW corner of 1320' EAST of P

NW Survey CRP Sec 34 1320' EAST, 250' SOUTH TO
TO RIGHT OF WAY AR 26325 AND AR 2169, SOUTH WEST TO A POINT
500' SOUTH OF BEGINNING

DATED AND POSTED on the ground this 10 day of JULY, 2014.

LOCATOR (s) Charles W. Williams Agent

Quartzite Metal Detecting Club

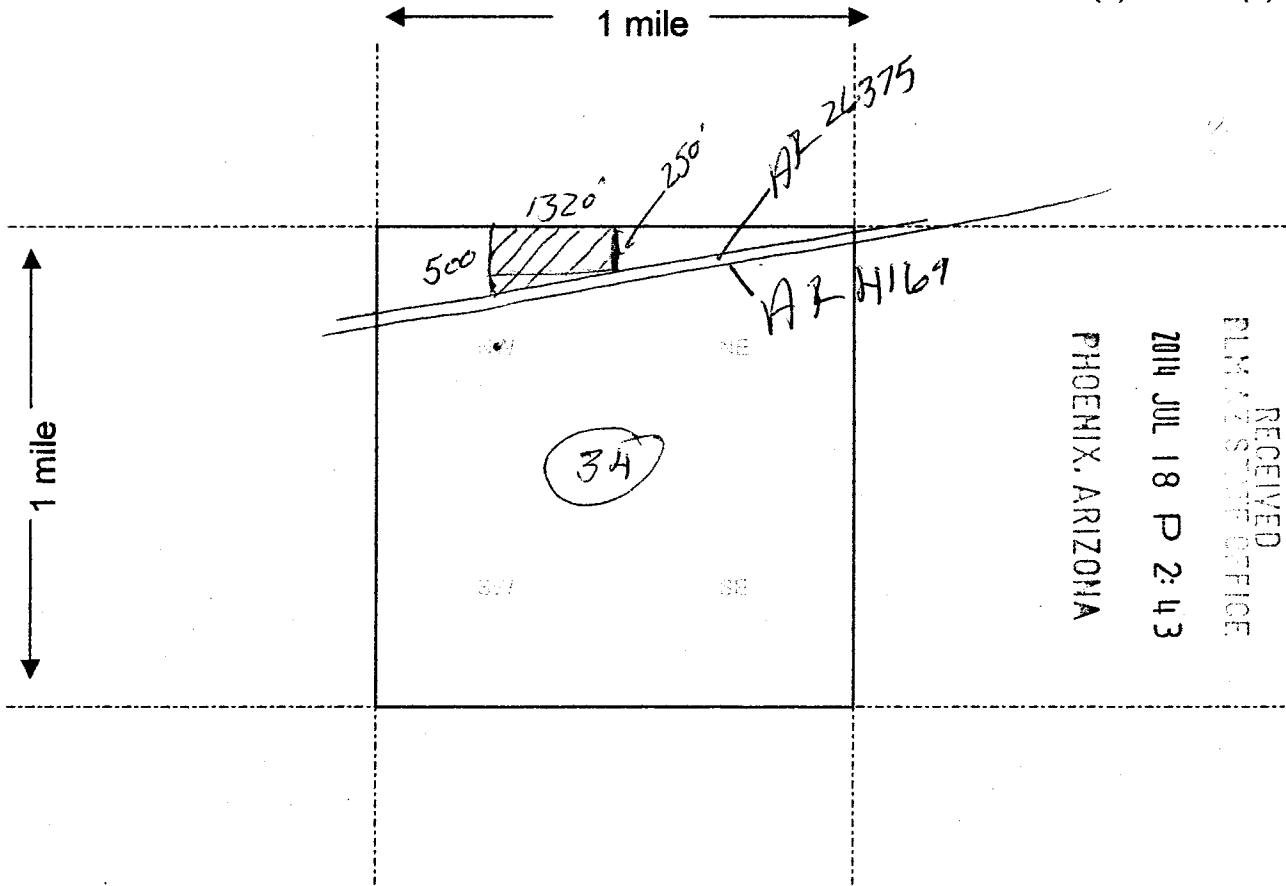
Form MCF102
Revised July 2005

This form is available from the Arizona Department of Mines & Mineral Resources and may be reproduced.

AMC428834

MINING CLAIM MAP

Lode () Placer (✓)



RECEIVED
 PLM & S. DIST. OFFICE
 2014 JUL 18 P 2:43
 PHOENIX, ARIZONA

Scale : 1" = 2000 feet



1. The above map depicts the JUMPING JACK 205 mining claim, which is located in Section (s) 34, Township 4 N, Range 20 W, Gila and Salt River Base and Meridian, LA PAZ County, Arizona.

2. The type of corner and location monuments used are as follows: 2x2 wood

3. The bearings and distances in degrees and feet between claim corners are as depicted on the map.

Form MCF100a
 Revised July 2005

This form is available from the Arizona Department of Mines & Mineral Resources and may be reproduced.

AMC 428834

LOCATION NOTICE FOR PLACER MINING CLAIM

NOTICE IS HEREBY GIVEN that the Middle CAMP
MINE 2 placer mining claim has been located by
QUANTZSITE METAL DETECTING CLUB whose current mailing
address is P.O. 3102
QUANTZSITE, AZ 85359

BLM Date Stamp	2014 JUL 18 P 2:44	RECEIVED
	PHOENIX, ARIZONA	BLM / STATE OFFICE

The general course of this claim is North To South and it is situated in
WAHAPAI County, Arizona.

This claim is 1320 feet in length and 660 feet in width. This claim runs from the
location monument on which this location notice is posted approximately 1320 feet in a North
direction to the North end line and 660 feet in a East direction to the East end line.
This claim is marked by four monuments, one at each corner of the claim.

The location monument on which this notice is posted is situated within Section 21, Township
N N, Range 20 W, Gila Salt River Base and Meridian, Arizona. This claim encompasses
portions of the following legal subdivision(s) if located by legal subdivision or the following quarter section (s),
section (s), Township (s) and Range (s) E 1/2, SW 1/4, SE 1/4 sec 21 T40N R20W
Gila Salt River Base and Meridian, Arizona.

The locality of this claim with reference to some natural object or permanent monument and additional
information (if any) concerning its locality are as follows: _____

DATED AND POSTED on the ground this 10 day of July, 2014.

LOCATOR (s) Charles Wankamie agent
Quantzsite Metal Detecting Club

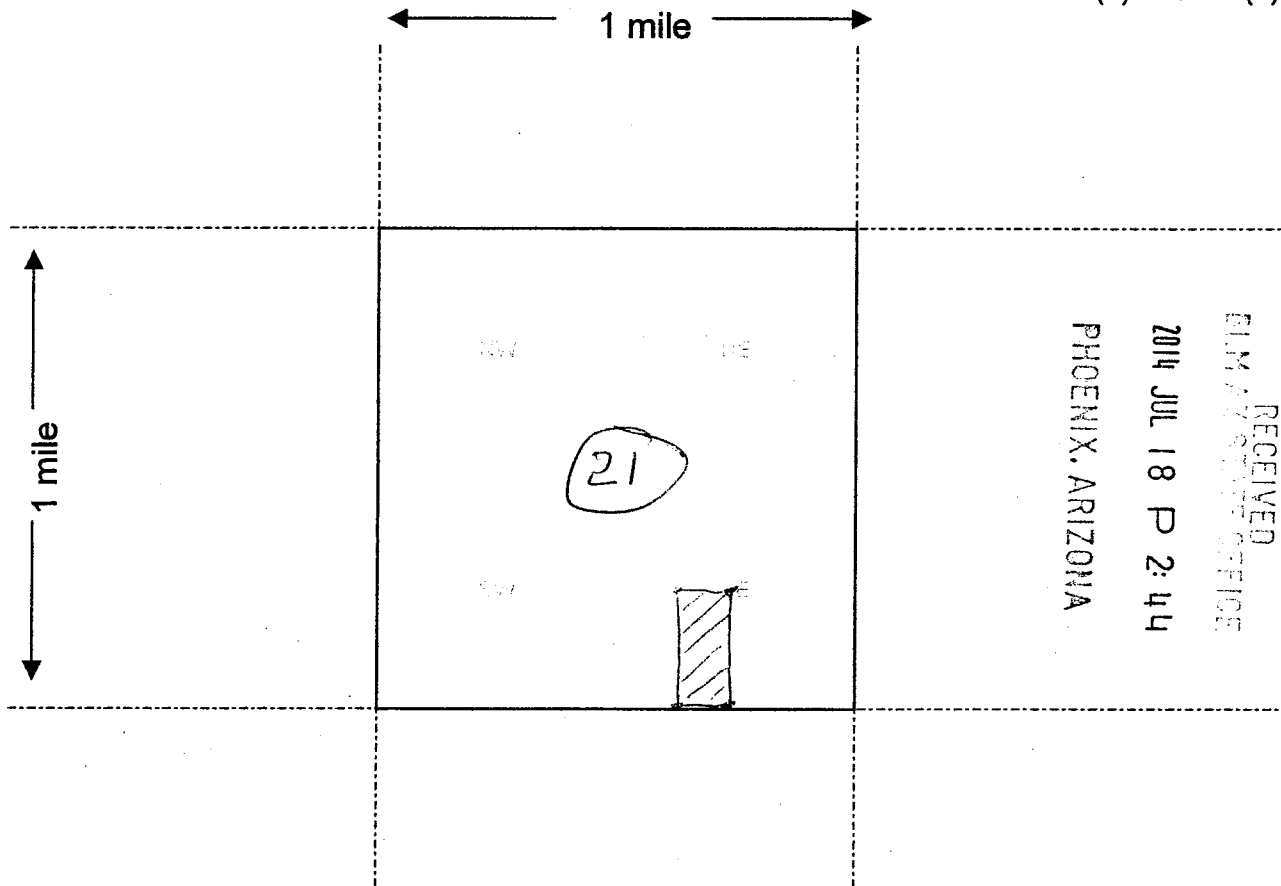
Form MCF102
Revised July 2005

This form is available from the Arizona Department of Mines & Mineral Resources and may be reproduced.

AMC 428835

MINING CLAIM MAP

Lode () Placer ()



RECEIVED
 CLM & SURVEY OFFICE
 2014 JUL 18 P 2:44
 PHOENIX, ARIZONA

AMC 428835

Scale : 1" = 2000 feet



1. The above map depicts the Middlecamp Mine 2 mining claim, which is located in Section (s) 21, Township H N, Range 20 W, Gila and Salt River Base and Meridian, LA PAZ County, Arizona.

2. The type of corner and location monuments used are as follows: 2x2 wood

3. The bearings and distances in degrees and feet between claim corners are as depicted on the map.

Form MCF100a
 Revised July 2005

This form is available from the Arizona Department of Mines & Mineral Resources and may be reproduced.

LOCATION NOTICE FOR PLACER MINING CLAIM

NOTICE IS HEREBY GIVEN that the Middle CAMP MINE 3

_____ placer mining claim has been located by

QUANTZSITE HOTEL DOTAING CLUB whose current mailing

address is P.O. 3102

QUANTZSITE, AZ 85359

RECEIVED	BLM AT STATE OFFICE	PHOENIX, ARIZONA	2014 JUL 18 P 2:44
BLM Date Stamp			

The general course of this claim is NORTH SOUTH and it is situated in LA PAZ County, Arizona.

This claim is 1320 feet in length and 660 feet in width. This claim runs from the location monument on which this location notice is posted approximately 1320 feet in a NORTH direction to the NORTH end line and 660 feet in a EAST direction to the EAST end line.

This claim is marked by four monuments, one at each corner of the claim.

The location monument on which this notice is posted is situated within Section 21, Township 4 N, Range 20 W, Gila Salt River Base and Meridian, Arizona. This claim encompasses portions of the following legal subdivision(s) if located by legal subdivision or the following quarter section (s), section (s), Township (s) and Range (s) W 1/2, SE 1/4, SE 1/4 SEC 21 4N 20W

_____, Gila Salt River Base and Meridian, Arizona.

The locality of this claim with reference to some natural object or permanent monument and additional information (if any) concerning its locality are as follows: W 1/2, SE 1/4, SE 1/4 SEC 21 4N 20W

DATED AND POSTED on the ground this 10 day of July, 2014.

LOCATOR (s) Charles Winkler agent
Quantzsite Hotel DOTAING Club

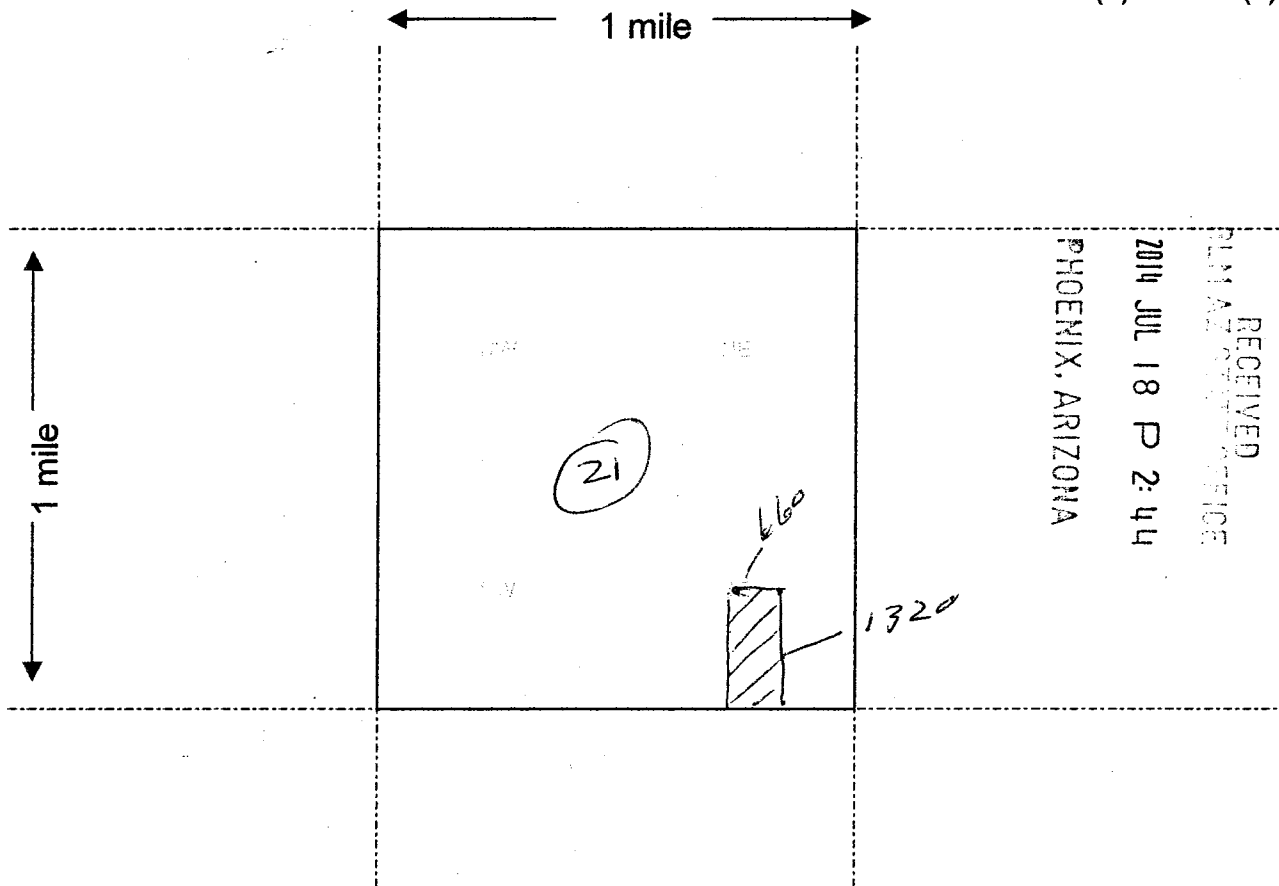
Form MCF102
Revised July 2005

This form is available from the Arizona Department of Mines & Mineral Resources and may be reproduced.

AMC428836

MINING CLAIM MAP

Lode () Placer ()



RECEIVED
 PLM AZ STATE OFFICE
 2014 JUL 18 P 2:44
 PHOENIX, ARIZONA

AMC428836

Scale : 1" = 2000 feet



1. The above map depicts the HEAD CAMP MINE 3 mining claim, which is located in Section (s) 21, Township H R, Range 20 W, Gila and Salt River Base and Meridian, LA PAS County, Arizona.

2. The type of corner and location monuments used are as follows: 2x2 wooden

3. The bearings and distances in degrees and feet between claim corners are as depicted on the map.

Form MCF100a
 Revised July 2005

DEPARTMENT OF INTERIOR
BUREAU OF LAND MANAGEMENT

Input Parameters for Geographic Report with Land

System Id = CR

Admin State = AZ

Geo State =

Casetype Begins With

Case Disp Txt = AUTHORIZED, CANCELLED, EXPIRED, PENDING, REJECTED, RELINQUISHED, WITHDRAWN

Mer Twp Rng =

Section =

Mtrs = 14 0040N 0200W 021, 14 0040N 0200W 034, 14 0040N 0200W 999

Commodity =

Commodity Txt =

Pending Org =

Pend Org Decode =

Total Rows Returned: 6

RUN TIME: 11:51 AM

UNITED STATES DEPARTMENT OF INTERIOR
BUREAU OF LAND MANAGEMENT
GEOGRAPHIC REPORT WITH LAND
Sorted by Serial Number

RUN DATE: 07/25/2014
Page 1 of 3

Adm State: AZ

Serial Number: AZA 021968
Total Case Acres: 300.000

<u>Casetype</u>	<u>Case Disp</u>				<u>Sect</u>	<u>Sur Typ</u>	<u>Sur Num</u>	<u>Suff</u>	<u>Subdivision</u>	<u>Act Pend</u>
288100	AUTHORIZED	14	0040N	0200W	034	ALIQ			N2S2;	

Serial Number: AZA 022287
Total Case Acres: 101.970

<u>Casetype</u>	<u>Case Disp</u>				<u>Sect</u>	<u>Sur Typ</u>	<u>Sur Num</u>	<u>Suff</u>	<u>Subdivision</u>	<u>Act Pend</u>
286203	AUTHORIZED	14	0040N	0200W	034	ALIQ			N2N2;	

Serial Number: AZA 029244
Total Case Acres: 61.818

<u>Casetype</u>	<u>Case Disp</u>				<u>Sect</u>	<u>Sur Typ</u>	<u>Sur Num</u>	<u>Suff</u>	<u>Subdivision</u>	<u>Act Pend</u>
281001	AUTHORIZED	14	0040N	0200W	034	MNR		1	SESENE,N2N2SE,N2NESW;	Y
						MNR		2	S2S2NW;	Y

Serial Number: AZA 031803
Total Case Acres: 87.700

<u>Casetype</u>	<u>Case Disp</u>				<u>Sect</u>	<u>Sur Typ</u>	<u>Sur Num</u>	<u>Suff</u>	<u>Subdivision</u>	<u>Act Pend</u>
286203	AUTHORIZED	14	0040N	0200W	034	ALIQ			N2S2;	

Serial Number: AZA 035914
Total Case Acres: 1.000

<u>Casetype</u>	<u>Case Disp</u>				<u>Sect</u>	<u>Sur Typ</u>	<u>Sur Num</u>	<u>Suff</u>	<u>Subdivision</u>	<u>Act Pend</u>
380913	AUTHORIZED	14	0040N	0200W	021	ALIQ			SESW;	

RUN TIME: 11:51 AM

UNITED STATES DEPARTMENT OF INTERIOR
BUREAU OF LAND MANAGEMENT
GEOGRAPHIC REPORT WITH LAND
Sorted by Serial Number

RUN DATE: 07/25/2014
Page 3 of 3

Adm State: AZ

286203 AUTHORIZED 034 ALIQ N2S2; Y

Serial Number: AZPHX 0086772

Total Case Acres: 1.000

<u>Casetype</u>	<u>Case Disp</u>	<u>14</u>	<u>0040N</u>	<u>0200W</u>	<u>Sect</u>	<u>Sur Typ</u>	<u>Sur Num</u>	<u>Suff</u>	<u>Subdivision</u>	<u>Act Pend</u>
282105	AUTHORIZED				034	FF		1	M&B;	

FROM:

C. WEINBERGER
196 Rainbow DR. 9698
Livingston, TX
77399

RECEIVED
DUMAS STATE OFFICE
2014 JUL 18 P 2:45
PHOENIX, ARIZONA

U.S. POSTAGE
PAID
FOREST CITY, NC
28043
JUL 16 14
AMOUNT
\$3.04
00023831-05

1000 85004

TO:

B. L. M
1 North Central AVE
Box 555
Phoenix, AZ
85004

UNITED STATES
POSTAL SERVICE®
USPS TRACKING #
9114 9012 3080 3171 8498 81
Label 400 Jan. 2013
7880-16-000-7648

Ready **P**ost.